

RoHS/WEEE COMPLIANCE FOR SANBOX SWITCHES

This marketing bulletin describes the specific product details for RoHS AND WEEE compliant switches.

RoHS Compliance

RoHS is the European Directive 2002/95/EC on the Restriction of Hazardous Substances (mercury, two poly-brominated flame retardants, cadmium, lead, and hexavalent chromium).

The directive requires compliance for any products sold in Europe **on or after July 1, 2006**, with exceptions specified in the Directive Annex. The exemptions allow lead (Pb) in solders for servers, storage and storage array systems.

QLogic SANbox 1000/3000/5000 series switches will comply with the RoHS requirements, with lead (Pb) in solder (sometimes referred to as **RoHS-5**).

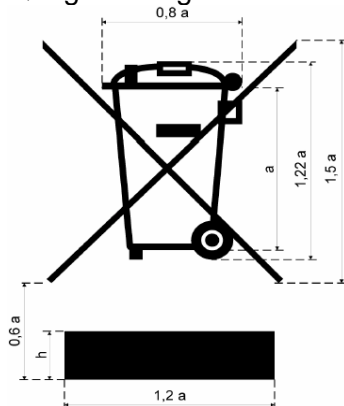
WEEE Compliance

WEEE is the European Directive 2002/96/EC on Waste Electrical and Electronic Equipment, which requires Producers to establish means to collect, treat, recover, and dispose of products.

EU members are calling the importer of record the “Producer” and holding them accountable for registering their company and complying with other financial and reporting obligations under WEEE.

QLogic cannot register in countries in which we have no business entity and where we are not the importer of record.

QLogic’s obligation is to mark product with a defined symbol (the “wheeled bin” symbol).





RoHS/WEEE Product Release Strategy

CHANNEL DISTRIBUTION PRODUCTS

The RoHS and WEEE compliant versions of the edge switch products will be available to our channel distribution partners beginning on **June 1, 2006**.

As requested by our channel partners, the product SKUs will remain the same.

No RoHS specific markings are required on the switch units. For identification purposes, refer to the product availability table below for revision information on specific products. This **revision code** is located on the rear of the switch unit next to the model and serial numbers.

OEM PRODUCTS

Contact your SPG OEM Program Manager for details on OEM specific products.



Product Compliance Availability

Platform	SKUs	RoHS/WEEE Compliance Date	Unit Revision Code
SANbox2 Series	RoHS/WEEE compliant units will not be available.		
SANbox 1400 Series	SB1403-10AS	6/1/06	Rev C or higher
	SB1403-10AJ		
SANbox 3000 Series	SB3050-08A-E	6/1/06	Rev E or higher
SANbox 5200 Series	SB5200-08A	6/1/06	Rev P or higher
	SB5200-12A		
	SB5200-16A		
	SB5200-20A	6/1/06	Rev U or higher
	SB5200-08A-E	6/1/06	Rev B or higher
	SB5200-12A-E		
	SB5200-16A-E		
	SB5200-20A-E		
	SB5202-08A	6/1/06	Rev F or higher
	SB5202-12A		
SB5202-16A			
SANbox 5600 Series	SB5202-20A	6/1/06	Rev H or higher
	SB5202-08A-E	6/1/06	Rev B or higher
	SB5202-12A-E		
	SB5202-16A-E		
	SB5202-20A-E		
	SB5600-08A	6/1/06	Rev C or higher
	SB5600-12A		
	SB5600-16A		
	SB5600-20A	6/1/06	Rev D or higher
	SB5600-08A-E	6/1/06	Rev B or higher
SB5600-12A-E			
SB5600-16A-E			
SB5600-20A-E			
SANbox 5600 Series	SB5602-08A	6/1/06	Rev G or higher
	SB5602-12A		
	SB5602-16A		
	SB5602-20A	6/1/06	Rev J or higher
	SB5602-08A-E	6/1/06	Rev B or higher
	SB5602-12A-E		
	SB5602-16A-E		
SB5602-20A-E			